



AC 160-2 | All Terrain Crane 200 t Lifting Capacity

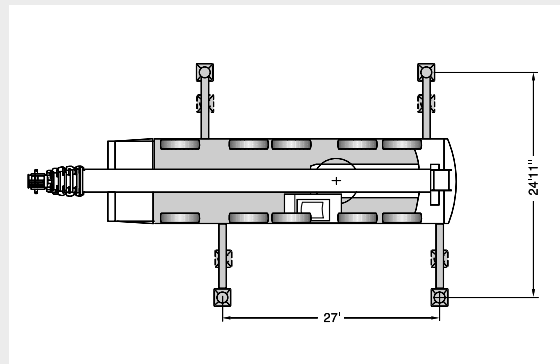
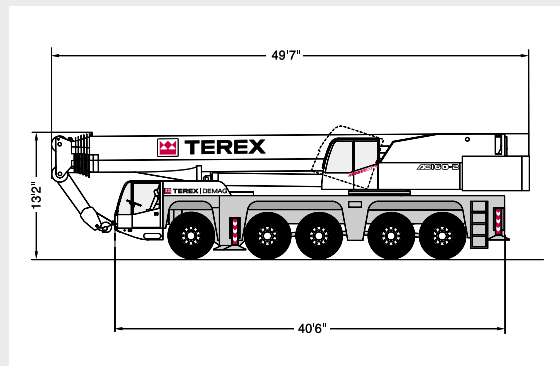


AC 160-2

ALL TERRAIN CRANE

AC 160-2
HIGHLIGHTS

- ▶ Due to the newly optimized boom system, the AC 160-2 has higher duties compared to its predecessor the AC 160-1
- ▶ Very compact 5-axle crane with a carrier length of just 40.4 ft
- ▶ 210 ft main boom and optional 29.5 ft to 108.3 ft boom extension
- ▶ State-of-the-art engine and transmission ensures travel comfort
- ▶ Speed-dependent rear axle steering for increased maneuverability and driving stability
- ▶ Innovative Demag IC-1 crane control system with touchscreen



CONTENTS

Page:

Specifications

Dimensions	4
Axle weight with dolly	6
Specifications	7

1

Main boom

Working ranges	8
Lifting capacities	9

2

Main boom extension

Working ranges	12
Lifting capacities	13
Working ranges	17

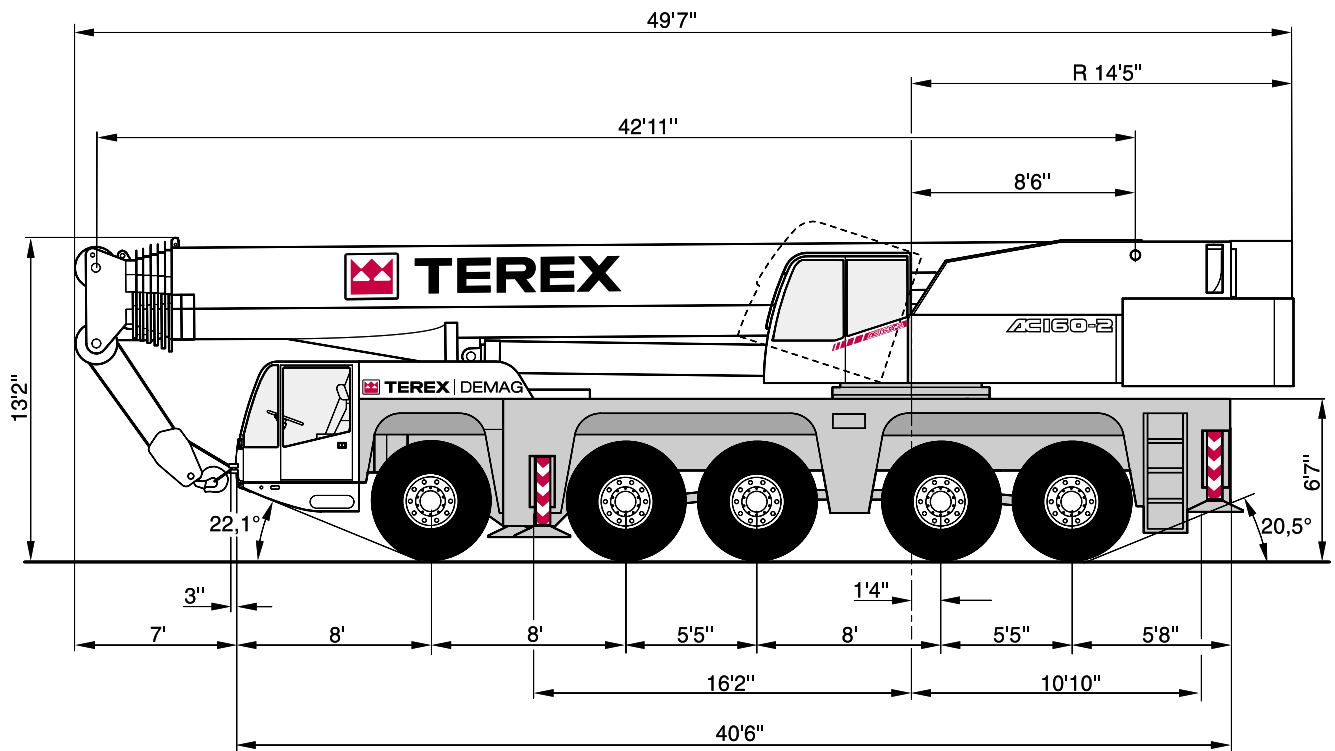
3

Technical description

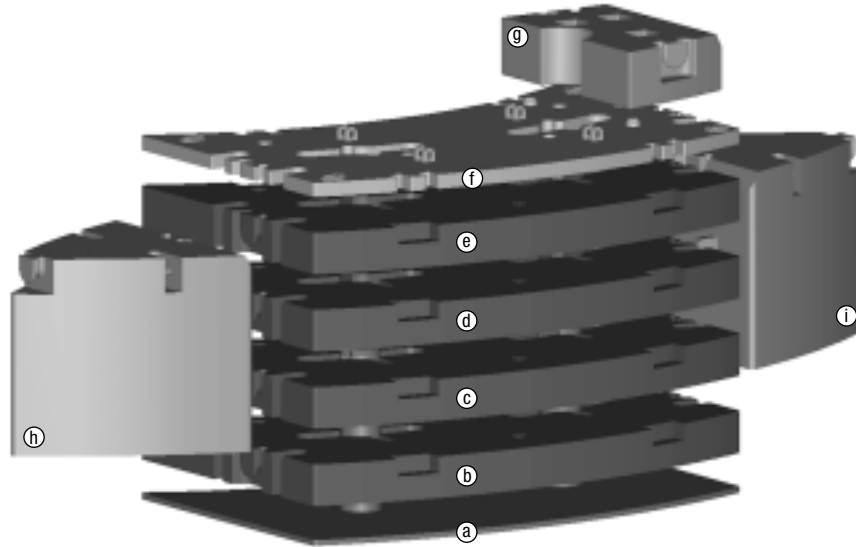
Carrier · Superstructure · Optional equipment	18
---	----

4

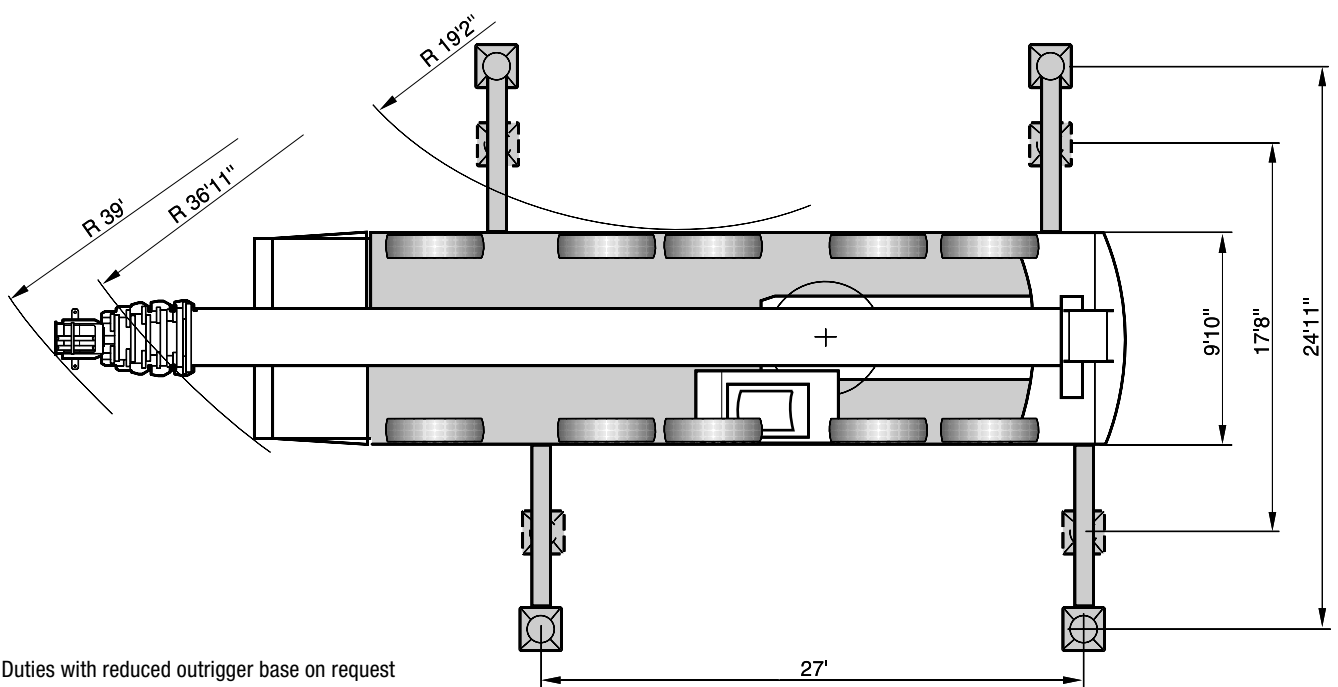
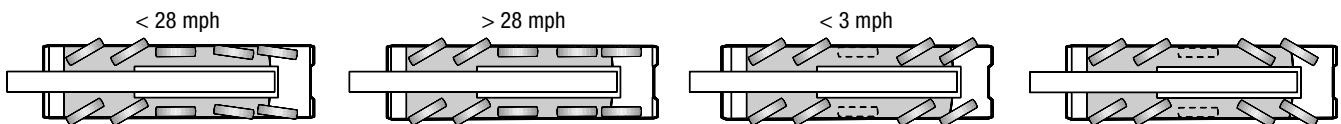
DIMENSIONS



DIMENSIONS



	(a) 4,630 lb	(b) 17,415 lb	(c) 17,415 lb	(d) 17,415 lb	(e) 17,415 lb	(f) 6,835 lb	(g) 4,850 lb	(h) 16,755 lb	(i) 16,755 lb
0 lb									
4,850 lb							X		
9,480 lb	X						X		
16,315 lb	X					X	X		
33,730 lb	X	X				X	X		
44,535 lb	X	X	X				X		
68,565 lb	X	X	X	X		X	X		
85,980 lb	X	X	X	X	X	X	X		
119,490 lb	X	X	X	X	X	X	X	X	X



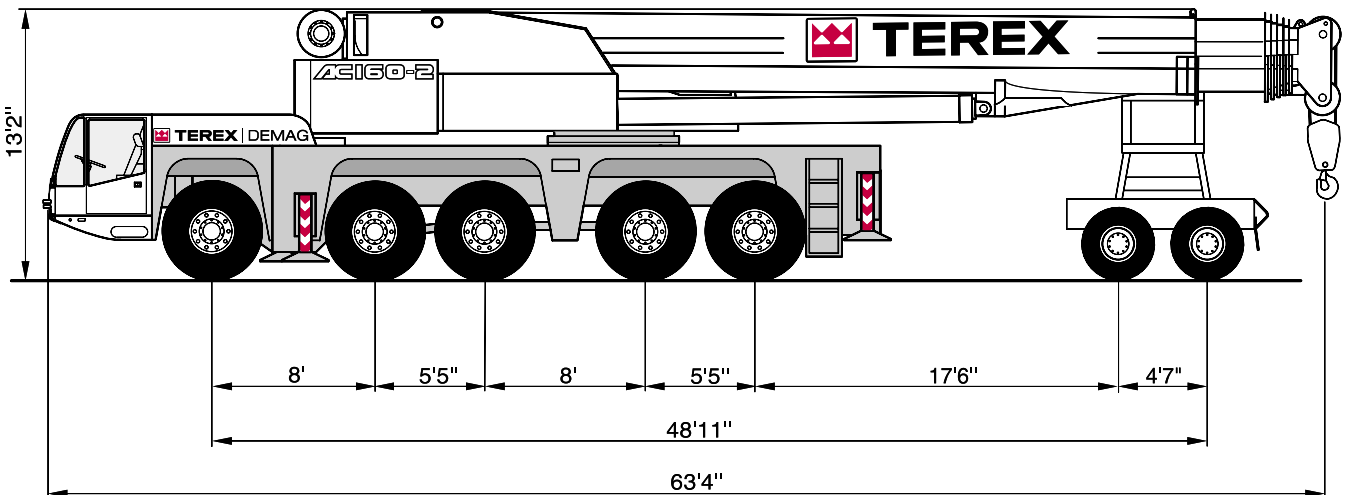
AXLE WEIGHT WITH DOLLY AC 160-2

CRANE CONFIGURATION

Drive	10 x 8 x 8
Tires	20.5 R 25
Outrigger front	
Outrigger rear	
Boom extended	3'3"
Hook block 3-sheaves	
2-axle boom dolly	5,700 lb

AXLES

Axle	1	2	3	4	5	6	7	Total weight
Weight	20,730 lb	20,730 lb	18,850 lb	18,410 lb	18,300 lb	15,540 lb	15,540 lb	128,100 lb



SPECIFICATIONS

AXLE LOADS

Single line hook, 29.5 ft main boom extension, 4,850 lb counterweight

Axles	5 x 26,500 lb
Total	132,500 lb

WORKING SPEEDS (INFINITELY VARIABLE)

Mechanisms	Normal speed	High speed	Max. permissible line pull ¹⁾	Rope diameter / Rope length
Hoist I	148 ft/min	410 ft/min	22,000 lb	0,83" / 1,130 ft
Hoist II	148 ft/min	410 ft/min	22,000 lb	0,83" / 1,130 ft
Slewing				max. 1.3 ¹ /min
Boom elevation				-1.5° - +82°

CARRIER PERFORMANCE

Travel speed	0 . . 53 mph
Gradeability	max. 70 %

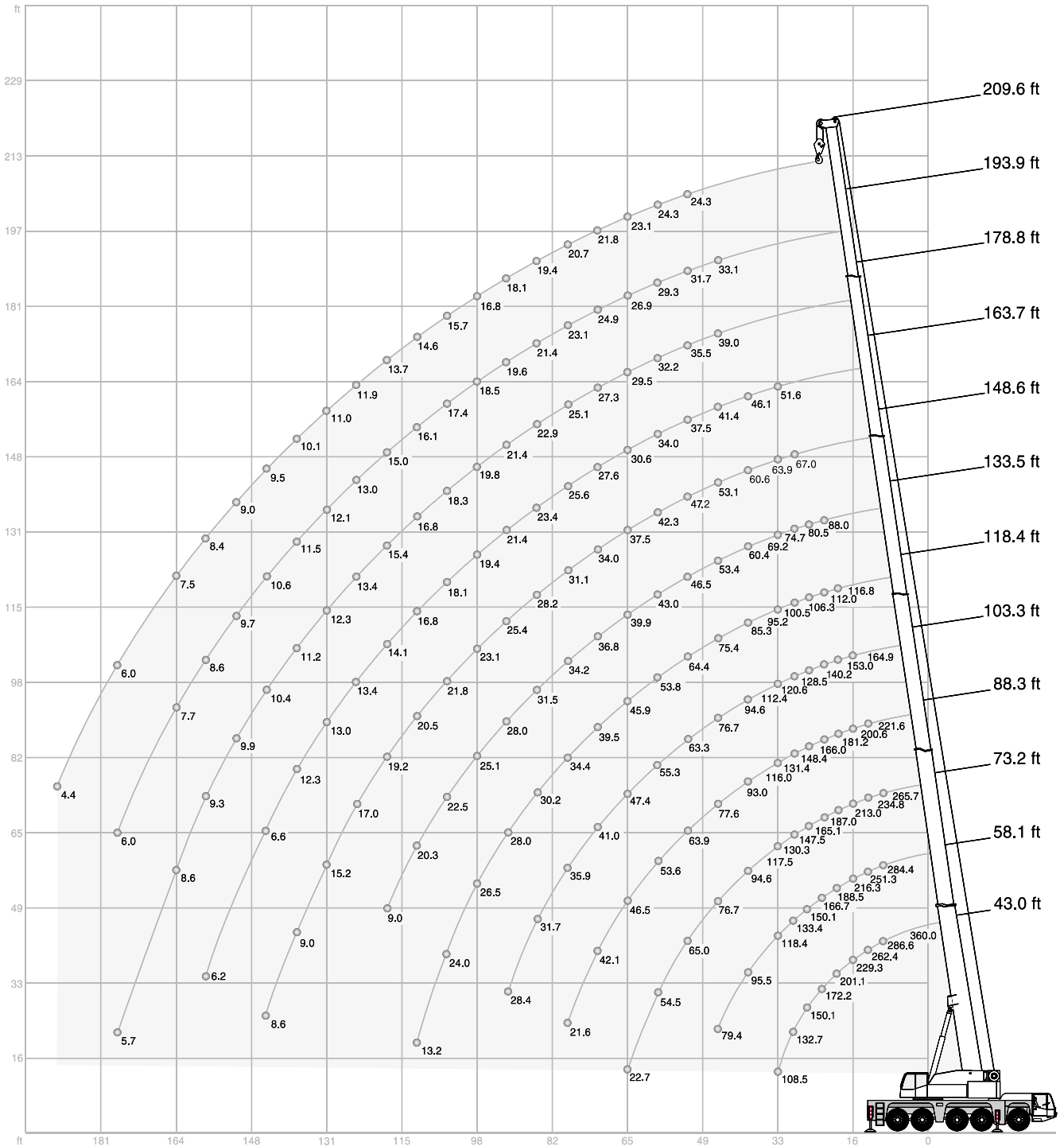
HOOK BLOCK / SINGLE LINE HOOK

Type	Possible load ¹⁾	Number of sheaves	Weight	„D“	Number of lines	Heavy-lift attachment
160	286,500 lb	7	3,300 lb	9.8 ft	14	2 add'l. sheaves
125	228,500 lb	5	2,480 lb	9.8 ft	11	2 add'l. sheaves
80	148,300 lb	3	1,870 lb	9.8 ft	7	
32	64,800 lb	1	1,320 lb	8.9 ft	3	
12.5	21,800 lb	Single line hook	770 lb	6.6 ft	1	

Remarks

¹⁾ varies depending on national regulations

WORKING RANGES MAIN BOOM



LIFTING CAPACITIES MAIN BOOM

119,500 lb  360° 85 %

		Main boom													
Radius	ft	43.0*	43.0	58.1	73.2	88.3	103.3	118.4	133.5	148.6	163.7	178.8	193.9	209.6	Radius
ft	1,000 lb														ft
	360.0**	-	-	-	-	-	-	-	-	-	-	-	-	-	
10	286.6	286.6	284.4	265.7	-	-	-	-	-	-	-	-	-	-	10
12	282.2	273.4	269.0	249.1	-	-	-	-	-	-	-	-	-	-	12
13	262.4	252.4	251.3	234.8	221.6	-	-	-	-	-	-	-	-	-	13
15	244.7	232.6	232.6	222.7	211.2	-	-	-	-	-	-	-	-	-	15
16	229.3	216.7	216.3	213.0	200.6	164.9	-	-	-	-	-	-	-	-	16
20	201.1	188.9	188.5	187.0	181.2	153.0	116.8	-	-	-	-	-	-	-	20
23	172.2	166.9	166.7	165.1	166.0	140.2	112.0	88.0	-	-	-	-	-	-	23
26	150.1	149.3	150.1	147.5	148.4	128.5	106.3	80.5	67.0	-	-	-	-	-	26
30	132.7	132.7	133.4	130.3	131.4	120.6	100.5	74.7	63.9	-	-	-	-	-	30
33	108.5	108.5	118.4	117.5	116.0	112.4	95.2	69.2	60.6	51.6	-	-	-	-	33
39	-	-	95.5	94.6	93.0	94.6	85.3	60.4	53.1	46.1	39.0	33.1	-	-	39
46	-	-	79.4	76.7	77.6	76.7	75.4	53.4	47.2	41.4	35.5	31.7	24.3	-	46
53	-	-	-	65.0	63.9	63.3	64.4	46.5	42.3	37.5	32.2	29.3	24.3	-	53
59	-	-	-	54.5	53.6	55.3	53.8	43.0	37.5	34.0	29.5	26.9	23.1	-	59
66	-	-	-	22.7	46.5	47.4	45.9	39.9	34.0	30.6	27.3	24.9	21.8	-	66
72	-	-	-	-	42.1	41.0	39.5	36.8	31.1	27.6	25.1	23.1	20.7	-	72
79	-	-	-	-	21.6	35.9	34.4	34.2	28.2	25.6	22.9	21.4	19.4	-	79
85	-	-	-	-	-	31.7	30.2	31.5	25.4	23.4	21.4	19.6	18.1	-	85
92	-	-	-	-	-	28.4	28.0	28.0	23.1	21.4	19.8	18.5	16.8	-	92
98	-	-	-	-	-	-	26.5	25.1	21.8	19.4	18.3	17.4	15.7	-	98
105	-	-	-	-	-	-	24.0	22.5	20.5	18.1	16.8	16.1	14.6	-	105
112	-	-	-	-	-	-	-	13.2	20.3	19.2	16.8	15.4	13.7	-	112
125	-	-	-	-	-	-	-	-	9.0	17.0	14.1	13.4	13.0	11.9	125
131	-	-	-	-	-	-	-	-	-	15.2	13.4	12.3	12.1	11.0	131
138	-	-	-	-	-	-	-	-	-	9.0	13.0	11.2	11.5	10.1	138
144	-	-	-	-	-	-	-	-	-	8.6	12.3	10.4	10.6	9.5	144
151	-	-	-	-	-	-	-	-	-	-	6.6	9.9	9.7	9.0	151
158	-	-	-	-	-	-	-	-	-	-	6.2	9.3	8.6	8.4	158
164	-	-	-	-	-	-	-	-	-	-	-	8.6	7.7	7.5	164
177	-	-	-	-	-	-	-	-	-	-	-	5.7	6.0	6.0	177
190	-	-	-	-	-	-	-	-	-	-	-	-	-	4.4	190
203	-	-	-	-	-	-	-	-	-	-	-	-	-	-	203

Remarks

* over rear

** with special attachment

LIFTING CAPACITIES MAIN BOOM

86,000 lb		360°												85 %
		Main boom												
Radius	ft	43.0	58.1	73.2	88.3	103.3	118.4	133.5	148.6	163.7	178.8	193.9	209.6	Radius
ft	1,000 lb													ft
10	286.6	284.4	265.7	-	-	-	-	-	-	-	-	-	-	10
12	270.1	269.0	249.1	-	-	-	-	-	-	-	-	-	-	12
13	248.0	246.9	234.8	221.6	-	-	-	-	-	-	-	-	-	13
15	228.2	228.2	222.7	211.2	-	-	-	-	-	-	-	-	-	15
16	212.5	212.1	210.5	200.6	164.9	-	-	-	-	-	-	-	-	16
20	185.2	184.7	183.4	181.2	153.0	116.8	-	-	-	-	-	-	-	20
23	162.0	162.7	159.6	160.5	140.2	112.0	88.0	-	-	-	-	-	-	23
26	139.3	140.2	138.0	137.8	128.5	106.3	80.5	67.0	-	-	-	-	-	26
30	121.3	122.1	121.3	119.7	117.9	100.5	74.7	63.9	-	-	-	-	-	30
33	105.6	106.7	105.8	103.6	103.2	95.2	69.2	60.6	51.6	-	-	-	-	33
39	-	80.7	81.1	80.0	78.5	80.5	60.4	53.1	46.1	39.0	33.1	-	-	39
46	-	63.3	63.5	62.6	64.6	62.8	53.4	47.2	41.4	35.5	31.7	24.3	24.3	46
53	-	-	54.0	53.6	52.5	50.9	46.5	42.3	37.5	32.2	29.3	24.3	24.3	53
59	-	-	45.2	44.8	43.7	41.9	43.0	37.5	34.0	29.5	26.9	23.1	23.1	59
66	-	-	22.7	37.9	36.8	36.4	36.8	33.7	30.6	27.3	24.9	21.8	21.8	66
72	-	-	-	32.6	31.5	32.8	31.3	28.9	27.6	25.1	23.1	20.7	20.7	72
79	-	-	-	21.6	28.7	28.7	27.1	26.7	24.7	22.9	21.4	19.4	19.4	79
85	-	-	-	-	26.0	25.1	23.6	24.3	21.4	21.4	19.6	18.1	18.1	85
92	-	-	-	-	23.1	22.0	21.4	21.2	19.6	18.7	18.5	16.8	16.8	92
98	-	-	-	-	-	19.6	19.8	18.7	18.1	16.8	17.2	15.7	15.7	98
105	-	-	-	-	-	17.4	17.9	16.3	16.3	15.4	14.8	14.6	14.6	105
112	-	-	-	-	-	13.2	16.1	14.6	14.3	13.9	13.0	13.0	13.0	112
125	-	-	-	-	-	-	9.0	12.6	11.7	10.8	9.7	9.7	9.7	125
131	-	-	-	-	-	-	-	11.2	10.4	9.3	8.4	8.4	8.4	131
138	-	-	-	-	-	-	-	9.0	9.3	8.2	7.1	7.1	7.1	138
144	-	-	-	-	-	-	-	8.6	8.2	7.3	6.0	6.0	6.0	144
151	-	-	-	-	-	-	-	-	6.6	6.2	5.1	5.1	5.1	151
158	-	-	-	-	-	-	-	-	6.2	5.3	4.2	4.2	4.2	158
164	-	-	-	-	-	-	-	-	-	4.4	3.3	3.3	3.3	164
177	-	-	-	-	-	-	-	-	-	3.1	-	-	-	177

44,500 lb		360°												85 %
		Main boom												
Radius	ft	43.0	58.1	73.2	88.3	103.3	118.4	133.5	148.6	163.7	178.8	193.9	209.6	Radius
ft	1,000 lb													ft
10	286.6	284.4	265.7	-	-	-	-	-	-	-	-	-	-	10
12	263.5	263.5	249.1	-	-	-	-	-	-	-	-	-	-	12
13	241.4	241.4	234.8	221.6	-	-	-	-	-	-	-	-	-	13
15	222.7	222.7	221.6	211.2	-	-	-	-	-	-	-	-	-	15
16	207.5	207.0	205.5	196.0	164.9	-	-	-	-	-	-	-	-	16
20	172.8	173.9	167.6	151.2	142.9	116.8	-	-	-	-	-	-	-	20
23	144.2	145.1	133.6	127.2	116.6	112.0	88.0	-	-	-	-	-	-	23
26	112.0	116.0	111.1	106.3	102.7	95.0	80.5	67.0	-	-	-	-	-	26
30	89.7	93.3	93.7	89.9	88.0	81.1	74.7	63.9	-	-	-	-	-	30
33	73.9	77.2	77.8	80.7	76.3	69.9	64.6	60.6	51.6	-	-	-	-	33
39	-	57.3	58.6	58.4	57.1	53.6	53.8	47.2	45.9	39.0	33.1	-	-	39
46	-	43.9	45.0	44.8	44.8	45.4	43.0	40.6	37.0	35.5	31.7	24.3	24.3	46
53	-	-	35.9	35.7	37.3	36.2	34.4	35.1	32.0	29.8	29.3	24.3	24.3	53
59	-	-	29.3	31.1	30.6	29.5	30.2	28.7	28.2	26.9	24.9	23.1	23.1	59
66	-	-	22.7	26.0	25.6	26.0	25.1	24.9	24.3	22.7	20.7	20.1	20.1	66
72	-	-	-	22.3	22.0	22.0	21.2	20.9	20.3	19.2	17.4	17.0	17.0	72
79	-	-	-	19.2	19.4	19.0	18.7	17.9	17.0	16.1	14.6	14.1	14.1	79
85	-	-	-	-	16.8	16.8	16.1	15.4	14.6	13.4	12.1	11.7	11.7	85
92	-	-	-	-	14.6	14.3	13.9	13.2	12.3	11.2	9.9	9.5	9.5	92
98	-	-	-	-	-	12.6	12.1	11.2	10.4	9.3	8.2	7.7	7.7	98
105	-	-	-	-	-	10.8	10.4	9.7	8.8	7.5	6.4	6.4	6.4	105
112	-	-	-	-	-	9.5	9.0	8.2	7.3	6.2	5.1	5.1	5.1	112
125	-	-	-	-	-	-	6.6	5.7	4.9	3.7	2.6	2.6	2.6	125
131	-	-	-	-	-	-	-	4.9	4.0	2.9	-	-	-	131
138	-	-	-	-	-	-	-	4.0	3.1	-	-	-	-	138
144	-	-	-	-	-	-	-	3.3	2.4	-	-	-	-	144

LIFTING CAPACITIES MAIN BOOM

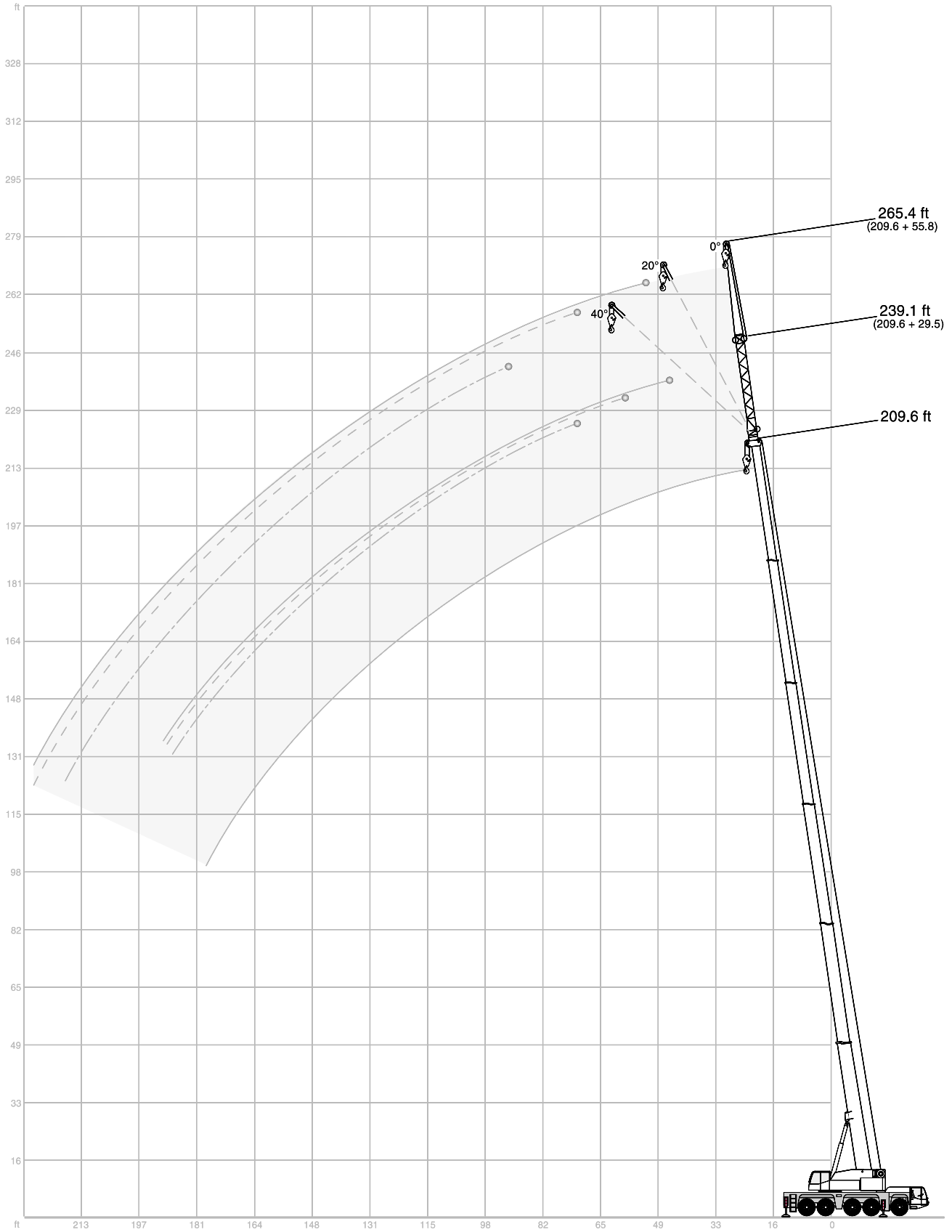
33,700 lb  360° **85 %**

		Main boom												
Radius	ft	43.0	58.1	73.2	88.3	103.3	118.4	133.5	148.6	163.7	178.8	193.9	209.6	Radius
ft		1,000 lb												ft
10	286.6	284.4	265.7	-	-	-	-	-	-	-	-	-	-	10
12	262.4	261.2	249.1	-	-	-	-	-	-	-	-	-	-	12
13	240.3	240.3	234.8	221.6	-	-	-	-	-	-	-	-	-	13
15	221.6	221.6	220.2	206.4	-	-	-	-	-	-	-	-	-	15
16	205.0	204.4	193.8	176.8	164.0	-	-	-	-	-	-	-	-	16
20	166.9	166.9	151.2	142.0	128.5	116.8	-	-	-	-	-	-	-	20
23	131.0	133.8	121.7	114.6	109.8	100.5	88.0	-	-	-	-	-	-	23
26	99.6	103.6	102.5	95.5	91.7	83.3	76.5	67.0	-	-	-	-	-	26
30	79.1	82.9	83.6	83.8	77.4	70.3	66.1	60.8	-	-	-	-	-	30
33	64.2	68.6	71.4	71.2	66.4	60.4	60.0	52.9	50.5	-	-	-	-	33
39	-	49.8	51.4	51.1	49.8	50.7	46.3	44.3	41.2	38.6	33.1	-	-	39
46	-	37.9	39.0	39.2	40.6	39.5	38.8	36.4	34.8	33.1	30.6	24.3	-	46
53	-	-	31.5	32.8	32.2	32.6	32.0	30.6	29.5	27.1	24.9	24.0	-	53
59	-	-	26.2	27.1	26.5	26.9	26.0	25.6	24.5	22.5	20.3	19.6	-	59
66	-	-	22.0	22.5	22.7	22.5	22.0	21.2	20.5	18.5	16.8	16.1	-	66
72	-	-	-	19.0	19.2	19.2	18.5	18.1	17.2	15.4	13.7	13.2	-	72
79	-	-	-	16.3	16.8	16.3	15.9	15.0	14.1	12.8	11.2	10.6	-	79
85	-	-	-	-	14.3	13.7	13.4	12.6	11.7	10.4	9.0	8.4	-	85
92	-	-	-	-	12.1	11.7	11.5	10.6	9.7	8.4	7.1	6.6	-	92
98	-	-	-	-	-	9.9	9.7	8.8	7.9	6.8	5.5	5.1	-	98
105	-	-	-	-	-	8.6	8.2	7.3	6.4	5.3	4.2	3.7	-	105
112	-	-	-	-	-	7.3	6.8	6.0	5.1	4.0	2.9	2.6	-	112
125	-	-	-	-	-	-	4.9	4.0	3.1	-	-	-	-	125
131	-	-	-	-	-	-	-	3.1	-	-	-	-	-	131
138	-	-	-	-	-	-	-	2.2	-	-	-	-	-	138

4,900 lb  360° **85 %**

		Main boom												
Radius	ft	43.0	58.1	73.2	88.3	103.3	118.4	133.5	148.6	163.7	178.8	193.9	209.6	Radius
ft		1,000 lb												ft
10	282.2	282.2	265.7	-	-	-	-	-	-	-	-	-	-	10
12	257.9	256.8	249.1	-	-	-	-	-	-	-	-	-	-	12
13	235.9	235.9	208.6	180.1	-	-	-	-	-	-	-	-	-	13
15	213.0	196.9	170.6	154.8	-	-	-	-	-	-	-	-	-	15
16	183.9	166.2	148.8	131.6	122.1	-	-	-	-	-	-	-	-	16
20	129.9	120.4	109.1	103.4	92.2	83.1	-	-	-	-	-	-	-	20
23	88.2	90.4	88.0	80.5	72.1	70.1	62.2	-	-	-	-	-	-	23
26	63.9	71.0	70.1	64.8	63.3	57.5	54.9	49.4	-	-	-	-	-	26
30	48.9	55.1	57.1	54.9	52.9	49.4	46.5	43.9	-	-	-	-	-	30
33	38.8	44.3	46.1	48.5	45.0	43.4	41.0	37.7	34.6	-	-	-	-	33
39	-	30.6	34.0	34.6	34.8	33.1	31.3	28.4	26.2	23.6	20.9	-	-	39
46	-	22.3	25.4	26.0	26.7	25.8	24.5	22.3	20.3	18.1	15.9	15.0	-	46
53	-	-	19.4	20.1	20.7	20.3	19.4	17.4	15.9	13.7	11.7	11.2	-	53
59	-	-	15.2	15.9	16.5	16.1	15.7	13.9	12.3	10.6	8.6	7.9	-	59
66	-	-	12.1	12.6	13.0	12.6	12.3	11.2	9.7	7.7	6.0	5.3	-	66
72	-	-	-	9.9	10.6	9.9	9.7	8.8	7.3	5.5	3.7	3.1	-	72
79	-	-	-	7.9	8.4	7.9	7.7	6.6	5.3	3.7	-	-	-	79
85	-	-	-	-	6.6	6.2	6.0	5.1	3.7	2.2	-	-	-	85
92	-	-	-	-	5.3	4.9	4.4	3.5	2.4	-	-	-	-	92
98	-	-	-	-	-	3.5	3.3	2.4	-	-	-	-	-	98
105	-	-	-	-	-	2.6	-	-	-	-	-	-	-	105

WORKING RANGES MAIN BOOM EXTENSION



LIFTING CAPACITIES MAIN BOOM EXTENSION

119,500 lb

360°

85 %

58.1 ft Main boom		Extension					
Radius	29.5 ft			55.8 ft			
	0°	20°	40°	0°	20°	40°	
ft	1,000 lb						
10	43.4	-	-	-	-	-	
12	43.4	-	-	-	-	-	
13	43.4	-	-	30.4	-	-	
15	43.4	-	-	30.2	-	-	
16	43.4	-	-	29.8	-	-	
20	43.2	34.2	-	28.9	-	-	
23	41.7	32.0	-	28.2	-	-	
26	40.3	30.2	-	27.3	-	-	
30	38.8	28.7	21.8	26.2	-	-	
33	36.8	27.3	21.2	25.1	20.5	-	
39	32.4	24.7	19.8	22.9	19.2	-	
46	27.8	22.7	19.0	21.2	17.9	-	
53	25.1	20.9	18.1	19.4	16.8	14.8	
59	22.7	19.6	17.6	17.6	15.7	14.1	
66	20.7	18.3	17.2	16.3	14.6	13.4	
72	19.0	17.9	-	15.0	13.4	12.8	
79	-	-	-	13.7	12.6	12.1	
85	-	-	-	12.6	11.9	11.5	
92	-	-	-	11.9	11.2	11.0	
98	-	-	-	11.0	10.8	-	
105	-	-	-	-	-	-	
112	-	-	-	-	-	-	
118	-	-	-	-	-	-	

133.5 ft Main boom		Extension					
Radius	29.5 ft			55.8 ft			
	0°	20°	40°	0°	20°	40°	
ft	1,000 lb						
33	33.7	-	-	20.1	-	-	
39	29.8	26.2	-	19.6	-	-	
46	26.2	24.3	20.3	19.0	-	-	
53	23.8	22.5	19.6	18.3	-	-	
59	21.4	20.7	19.2	17.4	15.4	-	
66	19.0	19.0	18.1	16.3	14.6	-	
72	17.4	17.2	16.8	15.2	13.7	12.1	
79	16.1	15.7	15.7	13.9	13.0	11.7	
85	14.6	14.6	14.6	13.0	12.3	11.0	
92	13.2	13.2	13.4	12.1	11.5	10.6	
98	12.1	12.1	12.3	11.0	10.8	10.1	
105	11.2	11.2	11.2	10.1	10.1	9.7	
112	10.4	10.4	10.6	9.3	9.5	9.3	
118	9.7	9.7	9.7	8.6	8.8	8.6	
125	8.8	9.0	9.0	7.9	7.9	8.2	
131	8.4	8.4	6.4	7.5	7.5	7.7	
138	7.7	7.7	-	6.8	7.1	7.1	
144	7.3	7.3	-	6.4	6.6	6.6	
151	5.1	5.1	-	6.0	6.0	6.2	
158	4.6	-	-	5.5	5.5	4.2	
164	-	-	-	5.3	5.3	-	
177	-	-	-	3.1	3.1	-	
190	-	-	-	-	-	-	

193.9 ft Main boom		Extension					
Radius	29.5 ft			55.8 ft			
	0°	20°	40°	0°	20°	40°	
ft	1,000 lb						
53	21.2	-	-	13.4	-	-	
59	20.9	-	-	13.4	-	-	
66	19.6	19.2	-	13.4	-	-	
72	18.5	18.1	17.6	13.4	-	-	
79	17.4	17.0	16.8	13.2	12.3	-	
85	16.3	15.9	15.7	13.0	12.1	-	
92	15.2	15.0	14.8	12.3	11.7	10.8	
98	13.9	13.9	13.9	11.9	11.5	10.4	
105	13.0	13.0	13.0	11.2	11.0	10.1	
112	12.1	12.1	12.1	10.6	10.4	9.9	
118	11.5	11.5	11.5	9.9	9.9	9.5	
125	10.8	10.8	10.8	9.5	9.3	9.0	
131	9.9	10.1	10.1	8.8	8.8	8.8	
138	9.3	9.5	9.5	8.4	8.4	8.4	
144	8.6	8.8	8.8	7.7	7.9	7.9	
151	8.2	8.2	8.2	7.3	7.3	7.5	
158	7.5	7.5	7.7	6.6	6.8	7.1	
164	6.8	7.1	7.1	6.2	6.4	6.6	
177	5.3	5.7	6.0	5.3	5.5	5.7	
190	3.7	4.2	-	4.2	4.9	4.9	
203	2.6	2.6	-	2.9	3.5	3.7	
217	-	-	-	-	2.4	-	
230	-	-	-	-	-	-	

209.6 ft Main boom		Extension					
Radius	29.5 ft			55.8 ft			
	0°	20°	40°	0°	20°	40°	
ft	1,000 lb						
53	15.9	-	-	-	-	-	
59	15.9	-	-	10.4	-	-	
66	15.7	15.9	-	10.4	-	-	
72	15.2	15.4	-	10.4	-	-	
79	14.8	15.0	15.0	10.4	-	-	
85	14.1	14.1	14.1	10.4	10.1	-	
92	13.4	13.4	13.4	10.4	10.1	-	
98	12.6	12.6	12.6	9.9	9.9	9.9	
105	11.7	11.9	11.9	9.5	9.7	9.5	
112	10.8	11.0	11.2	9.0	9.5	9.3	
118	10.1	10.1	10.4	8.6	9.0	8.8	
125	9.5	9.5	9.7	8.2	8.4	8.6	
131	8.8	9.0	9.0	7.7	7.9	8.2	
138	8.4	8.4	8.6	7.3	7.5	7.5	
144	7.7	7.9	7.9	6.8	6.8	7.1	
151	7.1	7.3	7.3	6.4	6.6	6.6	
158	6.6	6.6	6.8	6.0	6.2	6.2	
164	6.2	6.2	6.4	5.5	5.7	6.0	
177	5.1	5.3	5.3	4.6	4.9	5.1	
190	3.5	4.0	4.2	3.7	4.2	4.2	
203	2.4	2.6	-	2.6	3.3	3.5	
217	-	-	-	-	-	2.4	
230	-	-	-	-	-	-	



LIFTING CAPACITIES MAIN BOOM EXTENSION

86,000 lb

360°

85 %

58.1 ft Main boom						
Radius	Extension					
	29.5 ft			55.8 ft		
	0°	20°	40°	0°	20°	40°
ft	1,000 lb					
10	43.4	-	-	-	-	-
12	43.4	-	-	-	-	-
13	43.4	-	-	30.4	-	-
15	43.4	-	-	30.2	-	-
16	43.4	-	-	29.8	-	-
20	43.2	34.2	-	28.9	-	-
23	41.7	32.0	-	28.2	-	-
26	40.3	30.2	-	27.3	-	-
30	38.8	28.7	21.8	26.2	-	-
33	36.8	27.3	21.2	25.1	20.5	-
39	32.4	24.7	19.8	22.9	19.2	-
46	27.8	22.7	19.0	21.2	17.9	-
53	25.1	20.9	18.1	19.4	16.8	14.8
59	22.7	19.6	17.6	17.6	15.7	14.1
66	20.7	18.3	17.2	16.3	14.6	13.4
72	19.0	17.9	-	15.0	13.4	12.8
79	-	-	-	13.7	12.6	12.1
85	-	-	-	12.6	11.9	11.5
92	-	-	-	11.9	11.2	11.0
98	-	-	-	11.0	10.8	-
105	-	-	-	-	-	-
112	-	-	-	-	-	-
118	-	-	-	-	-	-

133.5 ft Main boom						
Radius	Extension					
	29.5 ft			55.8 ft		
	0°	20°	40°	0°	20°	40°
ft	1,000 lb					
33	33.7	-	-	20.1	-	-
39	29.8	26.2	-	19.6	-	-
46	26.2	24.3	20.3	19.0	-	-
53	23.8	22.5	19.6	18.3	-	-
59	21.4	20.7	19.2	17.4	15.4	-
66	19.0	19.0	18.1	16.3	14.6	-
72	17.4	17.2	16.8	15.2	13.7	12.1
79	16.1	15.7	15.7	13.9	13.0	11.7
85	14.6	14.6	14.6	13.0	12.3	11.0
92	13.2	13.2	13.4	12.1	11.5	10.6
98	12.1	12.1	12.3	11.0	10.8	10.1
105	11.2	11.2	11.2	10.1	10.1	9.7
112	10.4	10.4	10.6	9.3	9.5	9.3
118	9.7	9.7	9.7	8.6	8.8	8.6
125	8.8	9.0	9.0	7.9	7.9	8.2
131	8.4	8.4	6.4	7.5	7.5	7.7
138	7.7	7.7	-	6.8	7.1	7.1
144	7.3	7.3	-	6.4	6.6	6.6
151	5.1	5.1	-	6.0	6.0	6.2
158	4.6	-	-	5.5	5.5	4.2
164	-	-	-	5.3	5.3	-
177	-	-	-	3.1	3.1	-
190	-	-	-	-	-	-

193.9 ft Main boom						
Radius	Extension					
	29.5 ft			55.8 ft		
	0°	20°	40°	0°	20°	40°
ft	1,000 lb					
53	21.2	-	-	13.4	-	-
59	20.9	-	-	13.4	-	-
66	19.6	19.2	-	13.4	-	-
72	18.5	18.1	17.6	13.4	-	-
79	17.4	17.0	16.8	13.2	12.3	-
85	16.3	15.9	15.7	13.0	12.1	-
92	15.2	15.0	14.8	12.3	11.7	10.8
98	13.9	13.9	13.9	11.9	11.5	10.4
105	13.0	13.0	13.0	11.2	11.0	10.1
112	12.1	12.1	12.1	10.6	10.4	9.9
118	10.8	11.5	11.5	9.9	9.9	9.5
125	9.3	10.1	10.8	9.5	9.3	9.0
131	7.9	8.8	9.3	8.4	8.8	8.8
138	6.6	7.5	7.9	7.1	8.4	8.4
144	5.5	6.2	6.6	6.0	7.5	7.9
151	4.6	5.3	5.5	5.1	6.4	7.3
158	3.7	4.2	4.6	4.2	5.3	6.2
164	2.9	3.3	3.5	3.3	4.4	5.3
177	-	-	-	-	2.9	3.3

209.6 ft Main boom						
Radius	Extension					
	29.5 ft			55.8 ft		
	0°	20°	40°	0°	20°	40°
ft	1,000 lb					
53	15.9	-	-	-	-	-
59	15.9	-	-	10.4	-	-
66	15.7	15.9	-	10.4	-	-
72	15.2	15.4	-	10.4	-	-
79	14.8	15.0	15.0	10.4	-	-
85	14.1	14.1	14.1	10.4	10.1	-
92	13.4	13.4	13.4	10.4	10.1	-
98	12.6	12.6	12.6	9.9	9.9	9.9
105	11.7	11.9	11.9	9.5	9.7	9.5
112	10.8	11.0	11.2	9.0	9.5	9.3
118	10.1	10.1	10.4	8.6	9.0	8.8
125	9.0	9.5	9.7	8.2	8.4	8.6
131	7.7	8.6	9.0	7.7	7.9	8.2
138	6.4	7.3	7.9	6.8	7.5	7.5
144	5.3	6.2	6.6	5.7	6.8	7.1
151	4.4	5.1	5.5	4.6	6.2	6.6
158	3.5	4.2	4.4	3.7	5.1	6.2
164	2.6	3.3	3.5	3.1	4.2	5.1
177	-	-	-	-	2.6	3.3

LIFTING CAPACITIES MAIN BOOM EXTENSION

119,500 lb

360°

85 %

58.1 ft Main boom		Extension					
Radius	82.0 ft			108.3 ft			
	0°	20°	40°	0°	20°	40°	
ft	1,000 lb						
20	24.7	-	-	-	-	-	
23	24.3	-	-	-	-	-	
26	23.6	-	-	18.7	-	-	
30	22.7	-	-	17.9	-	-	
33	21.8	-	-	17.2	-	-	
39	20.1	17.4	-	15.7	-	-	
46	18.1	16.1	-	14.3	13.2	-	
53	16.3	14.8	-	13.2	12.1	-	
59	15.0	13.4	12.6	11.9	11.0	-	
66	13.7	12.3	11.7	10.8	10.4	9.7	
72	12.1	11.2	10.8	9.9	9.5	9.0	
79	11.0	10.6	10.1	9.3	8.8	8.6	
85	10.1	9.7	9.5	8.4	8.2	7.9	
92	9.5	8.8	8.8	7.5	7.5	7.5	
98	8.6	8.4	8.2	6.8	6.8	6.8	
105	7.9	7.7	7.7	6.4	6.4	6.4	
112	7.5	7.3	7.3	6.0	5.7	6.0	
118	7.1	6.8	-	5.5	5.5	5.5	
125	6.6	6.6	-	5.1	5.1	5.1	
131	-	-	-	4.6	4.6	4.6	
138	-	-	-	4.4	4.4	-	
144	-	-	-	4.0	4.0	-	
151	-	-	-	3.7	3.7	-	

133.5 ft Main boom		Extension					
Radius	82.0 ft			108.3 ft			
	0°	20°	40°	0°	20°	40°	
ft	1,000 lb						
46	15.7	-	-	-	-	-	
53	15.0	-	-	11.0	-	-	
59	14.3	-	-	10.6	-	-	
66	13.4	11.9	-	10.1	-	-	
72	12.6	11.0	-	9.5	9.0	-	
79	11.7	10.4	9.7	9.0	8.4	-	
85	10.8	9.7	9.3	8.4	7.9	7.5	
92	10.1	9.3	8.6	7.9	7.3	7.1	
98	9.3	8.6	8.2	7.3	6.8	6.6	
105	8.6	8.2	7.7	6.6	6.4	6.2	
112	7.9	7.7	7.3	6.2	6.0	6.0	
118	7.5	7.1	7.1	5.7	5.5	5.5	
125	6.8	6.6	6.6	5.5	5.3	5.1	
131	6.2	6.2	6.2	5.1	4.9	4.9	
138	5.7	5.7	6.0	4.6	4.6	4.6	
144	5.3	5.3	5.5	4.2	4.2	4.2	
151	4.9	5.1	5.1	3.7	4.0	4.0	
158	4.4	4.6	4.6	3.5	3.7	3.7	
164	4.0	4.2	4.4	3.1	3.3	3.5	
177	3.3	3.5	2.2	2.6	2.9	2.9	
190	2.9	2.9	-	-	-	2.2	
203	-	-	-	-	-	-	
217	-	-	-	-	-	-	

193.9 ft Main boom		Extension					
Radius	82.0 ft			108.3 ft			
	0°	20°	40°	0°	20°	40°	
ft	1,000 lb						
59	9.3	-	-	-	-	-	
66	9.3	-	-	6.0	-	-	
72	9.3	-	-	6.0	-	-	
79	9.3	-	-	6.0	-	-	
85	9.3	8.8	-	6.0	-	-	
92	9.3	8.8	-	6.0	5.5	-	
98	9.3	8.6	8.2	6.0	5.5	-	
105	8.8	8.4	7.9	6.0	5.5	5.3	
112	8.4	7.9	7.5	5.7	5.5	5.3	
118	7.9	7.7	7.3	5.5	5.5	5.3	
125	7.5	7.3	7.1	5.5	5.5	5.1	
131	7.1	7.1	6.8	5.3	5.3	5.1	
138	6.8	6.8	6.6	5.1	5.1	4.9	
144	6.4	6.4	6.2	4.9	4.6	4.6	
151	6.0	6.0	6.0	4.6	4.4	4.4	
158	5.5	5.7	5.7	4.4	4.2	4.2	
164	5.1	5.3	5.5	4.0	4.0	4.0	
177	4.2	4.4	4.6	3.3	3.5	3.5	
190	3.5	3.7	4.0	2.6	2.9	3.1	
203	2.9	3.1	3.3	-	2.4	2.4	
217	-	2.2	2.6	-	-	-	

206.4 ft Main boom		Extension					
Radius	82.0 ft			108.3 ft			
	0°	20°	40°	0°	20°	40°	
ft	1,000 lb						
66	7.1	-	-	-	-	-	
72	7.1	-	-	4.2	-	-	
79	7.1	-	-	4.2	-	-	
85	7.1	6.8	-	4.2	-	-	
92	7.1	6.8	-	4.2	-	-	
98	7.1	6.8	-	4.2	-	-	
105	7.1	6.8	6.8	4.2	-	-	
112	6.8	6.8	6.8	4.2	-	-	
118	6.4	6.8	6.8	4.2	-	-	
125	6.2	6.6	6.6	4.0	-	-	
131	6.0	6.2	6.4	4.0	-	-	
138	5.7	6.0	6.2	3.7	-	-	
144	5.3	5.5	5.7	3.7	-	-	
151	5.1	5.3	5.5	3.5	-	-	
158	4.6	4.9	5.1	3.5	-	-	
164	4.2	4.4	4.9	3.3	-	-	
177	3.5	3.7	4.0	2.6	-	-	
190	2.9	3.1	3.3	-	-	-	
203	2.2	2.4	2.6	-	-	-	
217	-	-	-	-	-	-	
230	-	-	-	-	-	-	

LIFTING CAPACITIES MAIN BOOM EXTENSION

86,000 lb

360°

85 %

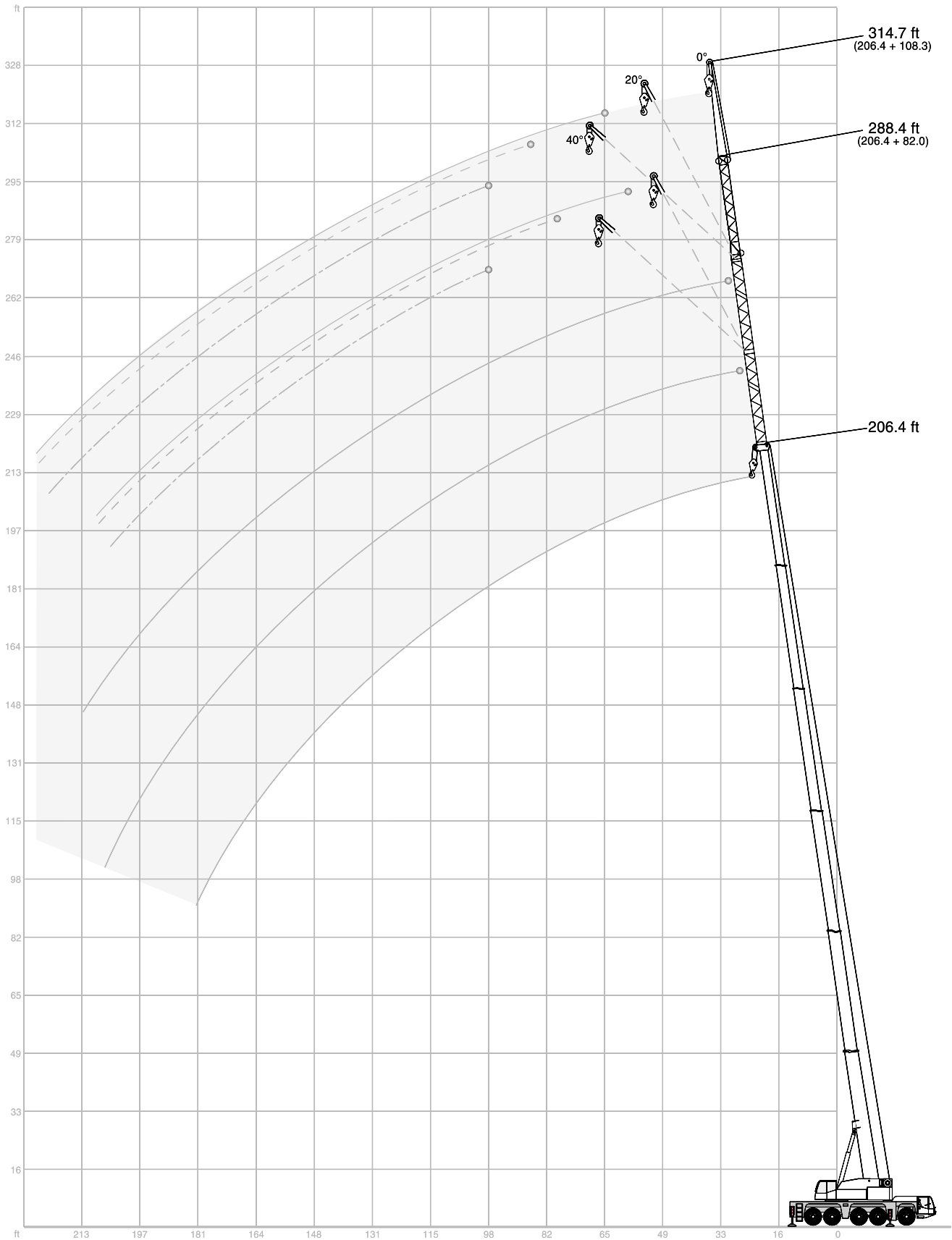
58.1 ft Main boom						
Radius	Extension					
	82.0 ft			108.3 ft		
	0°	20°	40°	0°	20°	40°
ft	1,000 lb					
20	24.7	-	-	-	-	-
23	24.3	-	-	-	-	-
26	23.6	-	-	18.7	-	-
30	22.7	-	-	17.9	-	-
33	21.8	-	-	17.2	-	-
39	20.1	17.4	-	15.7	-	-
46	18.1	16.1	-	14.3	13.2	-
53	16.3	14.8	-	13.2	12.1	-
59	15.0	13.4	12.6	11.9	11.0	-
66	13.7	12.3	11.7	10.8	10.4	9.7
72	12.1	11.2	10.8	9.9	9.5	9.0
79	11.0	10.6	10.1	9.3	8.8	8.6
85	10.1	9.7	9.5	8.4	8.2	7.9
92	9.5	8.8	8.8	7.5	7.5	7.5
98	8.6	8.4	8.2	6.8	6.8	6.8
105	7.9	7.7	7.7	6.4	6.4	6.4
112	7.5	7.3	7.3	6.0	5.7	6.0
118	7.1	6.8	-	5.5	5.5	5.5
125	6.6	6.6	-	5.1	5.1	5.1
131	-	-	-	4.6	4.6	4.6
138	-	-	-	4.4	4.4	-
144	-	-	-	4.0	4.0	-
151	-	-	-	3.7	3.7	-

133.5 ft Main boom						
Radius	Extension					
	82.0 ft			108.3 ft		
	0°	20°	40°	0°	20°	40°
ft	1,000 lb					
46	15.7	-	-	-	-	-
53	15.0	-	-	11.0	-	-
59	14.3	-	-	10.6	-	-
66	13.4	11.9	-	10.1	-	-
72	12.6	11.0	-	9.5	9.0	-
79	11.7	10.4	9.7	9.0	8.4	-
85	10.8	9.7	9.3	8.4	7.9	7.5
92	10.1	9.3	8.6	7.9	7.3	7.1
98	9.3	8.6	8.2	7.3	6.8	6.6
105	8.6	8.2	7.7	6.6	6.4	6.2
112	7.9	7.7	7.3	6.2	6.0	6.0
118	7.5	7.1	7.1	5.7	5.5	5.5
125	6.8	6.6	6.6	5.5	5.3	5.1
131	6.2	6.2	6.2	5.1	4.9	4.9
138	5.7	5.7	6.0	4.6	4.6	4.6
144	5.3	5.3	5.5	4.2	4.2	4.2
151	4.9	5.1	5.1	3.7	4.0	4.0
158	4.4	4.6	4.6	3.5	3.7	3.7
164	4.0	4.2	4.4	3.1	3.3	3.5
177	3.3	3.5	2.2	2.6	2.9	2.9
190	2.9	2.9	-	-	-	2.2
203	-	-	-	-	-	-
217	-	-	-	-	-	-

193.9 ft Main boom						
Radius	Extension					
	82.0 ft			108.3 ft		
	0°	20°	40°	0°	20°	40°
ft	1,000 lb					
59	9.3	-	-	-	-	-
66	9.3	-	-	6.0	-	-
72	9.3	-	-	6.0	-	-
79	9.3	-	-	6.0	-	-
85	9.3	8.8	-	6.0	-	-
92	9.3	8.8	-	6.0	5.5	-
98	9.3	8.6	8.2	6.0	5.5	-
105	8.8	8.4	7.9	6.0	5.5	5.3
112	8.4	7.9	7.5	5.7	5.5	5.3
118	7.9	7.7	7.3	5.5	5.5	5.3
125	7.5	7.3	7.1	5.5	5.5	5.1
131	7.1	7.1	6.8	5.3	5.3	5.1
138	6.8	6.8	6.6	5.1	5.1	4.9
144	5.7	6.4	6.2	4.9	4.6	4.6
151	4.9	6.0	6.0	4.4	4.4	4.4
158	4.0	5.3	5.7	3.5	4.2	4.2
164	3.1	4.4	5.3	2.6	4.0	4.0
177	-	2.9	3.5	-	2.6	3.5
190	-	-	-	-	-	-

206.4 ft Main boom						
Radius	Extension					
	82.0 ft			108.3 ft		
	0°	20°	40°	0°	20°	40°
ft	1,000 lb					
66	7.1	-	-	-	-	-
72	7.1	-	-	4.2	-	-
79	7.1	-	-	4.2	-	-
85	7.1	6.8	-	4.2	-	-
92	7.1	6.8	-	4.2	-	-
98	7.1	6.8	-	4.2	-	-
105	7.1	6.8	6.8	4.2	-	-
112	6.8	6.8	6.8	4.2	-	-
118	6.4	6.8	6.8	4.2	-	-
125	6.2	6.6	6.6	4.0	-	-
131	6.0	6.2	6.4	4.0	-	-
138	5.7	6.0	6.2	3.7	-	-
144	5.3	5.5	5.7	3.7	-	-
151	4.4	5.3	5.5	3.5	-	-
158	3.5	4.9	5.1	3.1	-	-
164	2.9	4.2	4.9	2.2	-	-
177	-	2.6	3.5	-	-	-
190	-	-	-	-	-	-
203	-	-	-	-	-	-

WORKING RANGES MAIN BOOM EXTENSION



TECHNICAL DESCRIPTION

CARRIER

Drive / Steering	10 x 8 x 8.
Frame	Torsion-resistant box girder frame fabricated from high-strength fine grain structural steel.
Outriggers	4 telescopic outriggers, fabricated from fine grain structural steel, fully hydraulic horizontal and vertical extension.
Engine	Water-cooled 8 cylinder DaimlerChrysler diesel engine OM 502 LA, rating 380 kW (516 HP) at 1800 1/min, torque 2400 Nm at 1200 1/min, fuel tank capacity: 132 gallons.
Transmission	ZF AS-Tronic, electronically automated transmission with automatic clutch, 16 forward and 2 reverse speeds with integrated retarder, 2-range transfer case, cruise control.
Axles	Axles 2, 3, 4, and 5: driven, 1, 2, 4, and 5: steered. Transverse differential lockout control on axles 2, 3, 4, and 5. Longitudinal lockout control on axles 3 and 4.
Suspension	Hydro-pneumatic suspension on all axles, hydraulically lockable for on-site travel.
Wheels and tires	10 wheels fitted with 14.00 R 25 tyres (Michelin or Bridgestone).
Steering	10 x 8, ZF dual-circuit semiblock mechanical steering with hydraulic booster and mechanical steering limiter, speed-dependent steering, 4th and 5th axles provide for independent rear axle steering.
Brakes	To EC directives. Sustained action brake: hydraulic retarder integrated into gearbox. Exhaust brake and constant choke valve.
Electrical equipment	24 V system.
Driver's cab	Highly comfortable ergonomic cab with clearly arranged dashboard, rubber mounted steel cab, corrosion-resistant powder coating with 2-pack top coat. 9.8 ft wide, 2 comfortable seats, with pneumatically sprung and heated driver's seat incl. head and arm rests, and three-point seat belts, vertically adjustable steering wheel, safety glass used throughout, electric windows, heated and electrically adjustable mirrors, windscreen defroster fans, engine-dependent hot water heater, electric windscreen washer and wiper, roller blinds, radio with CD player, stowage compartment, air-conditioning.

SUPERSTRUCTURE

Engine	Water-cooled 4 cylinder DaimlerChrysler diesel engine OM 904 LA, rating 130 kW (175 HP) at 2200 1/min, torque 675 Nm at 1200 1/min, fuel tank capacity: 60 gallons (on superstructure).
Hydraulic system	Two variable displacement axial piston pumps with automatic power control enabling the operator to engage four independent working movements simultaneously, separate pump for slewing. Hydraulic oil cooler included as standard. Reservoir capacity: 264 gallons.
Hoist	Fixed displacement axial piston hydraulic motor, hoist drum with integrated planetary gear reducer, and spring-applied multi-disk brake. Hydraulic brake, drum rotation indicator.
Slew unit	Hydraulic motor with planetary gear reducer, pedal-operated brake, joystick-actuated free swing, spring-applied holding brake.
Boom elevation	1 differential cylinder with automatic lowering brake valve.
Crane cab	Highly comfortable cab with sliding door, roof window and large hinged windscreen; safety glass used throughout; sprung and hydraulically damped operator's seat with head and arm rests; wiper for windscreen and roof window; self-contained hot water heater with timer and 'Heizmatic' for sensitive heat flow control; dashboard with instrumentation and crane controls, e.g. drum rotation indicator for hoists I and II, load moment limiter, outrigger loading indicator; 2 working lights. Air-conditioning. The crane cab can be tilted back hydraulically 18°.
Main boom	Boom base and 5 telescopic sections fabricated from fine grain structural steel; anti-deflection Demag Ovaloid profile.
Counterweight	119,500 lb, divisible, hydraulically stowable on carrier.
Safety devices	Electronic safe load indicator with graphic display and touchscreen, digital readout for hook load, rated load, boom length and angle, radius, monitoring code to assist in trouble shooting, and analog display to indicate capacity utilization in %, integrated control system for boom telescoping, display for duty charts and theoretical and actual outrigger loading. Working range limitation to certain, pre-defined slew angles, heights and radii („virtual walls“) included as standard.

OPTIONAL EQUIPMENT

Runner	5.4 ft, 2-sheaves.
Twist arrestor	To untwist the hoist ropes.
Heavy lift attachment	The max. lifting capacity of the standard crane without heavy lift attachment is 209,000 lb (5 sheaves on boom head).
Emergency control	Interface for emergency control to recover small loads, incl. transformer. With hydraulic motor and hydraulic pump available on request.
Warning light	For main boom and attachments.
Rooster sheave	Sheave on boom head folding to the side of the boom, for single-line operation.
Wheels and tires	16.00 R 25, 17.5 R 25 and 20.5 R 25.
Hoist 2	Fixed displacement axial piston hydraulic motor, hoist drum with integrated planetary gear reducer, and spring-applied multi-disk brake. Hydraulic brake, drum rotation indicator.

NOTES TO LIFTING CAPACITY

Ratings are in compliance with ISO 4305 and DIN 15019.2 (test load = 1.25 x suspended load + 0.1 x dead weight of boom head).
Weight of hook blocks and slings is part of the load, and is to be deducted from the capacity ratings.

Crane operation with main boom is permissible up to a

wind pressure of: 1.25 lb/ft²


wind speed of: 32 ft/s

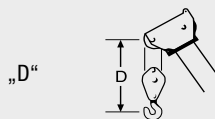
Consult operation manual for further details.

Note: Data published herein is intended as a guide only and shall not be construed to warrant applicability for lifting purposes.
Crane operation is subject to the computer charts and operation manual both supplied with the crane.

KEY

 Counterweight

 Lifting capacities on outriggers 360°



The information contained in this brochure merely consists of general descriptions and a broad compilation of performance features which might not apply precisely as described under specific application conditions or which may change as a result of further product development. The desired performance features only become binding once expressly agreed in the final contract.

Note: Data published herein is intended as a guide only and shall not be construed to warrant applicability for lifting purposes. Crane operation is subject to the computer charts and operation manual both supplied with the crane.

Subject to change without notice.

07 / 05

Terex Cranes Wilmington Operations

Mobile hydraulic and lattice-boom cranes
202 Raleigh St. · Wilmington, NC 28412 USA
Phone +1 910 395 8500 · Fax +1 910 395 8538
Email: american@american-crane.com